

DESCRIPTION:

The 433 series is cylindrical type in 5mm diameter package.

The semi-conductor materials used are:

GaP for (433HD, 433GD/GT/GC)

GaAsP/GaP for (433RHD/RHT/RHC, 433YD/YT/YC and 433SD)

ABSOLUTE MAXIMUM RATINGS: (Ta=25°C)

Reverse Voltage	5 Volt
Reverse Current (Vr =5V)	100μA
Operating Temperature Range	-40°C To 85°C
Storage Temperature Range	-40°C To 100°C
Lead Soldering Temperature (1.6mm (1/16)From Body)	260°C For 5 Seconds

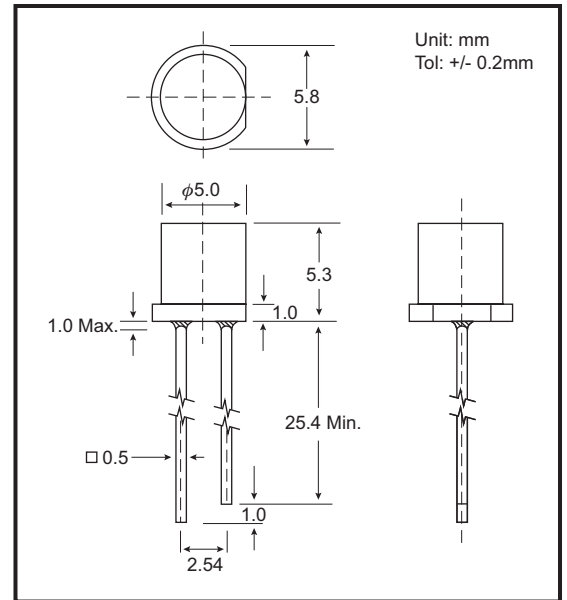
NOTES : 1. All dimensions are in millimeters.

2. Lead spacing is measured where the leads emerge from the package.

3. Protuded resin under flange is 1.5 mm (0.059") Max.

4. Specifications are subject to change without notice.

PACKAGE DIMENSIONS



PART NO. SELECTION AND APPLICATION INFORMATION (RATINGS AT 25°C AMBIENT)

Part No.	Emitted Color	Lens Color	Peak Wavelength λ_p (nm)	Vf (v)		Rec. If (mA).	Iv (mcd)		View Angle $2\theta_{1/2}$ (Deg)
				Min	Max		Min	Typ.	
GB-433HD	Red	Red Diffused	697	1.7	2.6	5-10	0.3	0.5	80
GB-433RHD	Bright Red	Red Diffused	660	1.7	2.6	10-20	0.4	1.2	80
GB-433GD	Green	Green Diffused	565	1.7	2.6	10-20	0.4	1.2	80
GB-433YD	Yellow	Yellow Diffused	585	1.7	2.6	10-20	0.4	1.2	80
GB-433SD	Orange	Orange Diffused	610	1.7	2.6	10-20	0.4	1.2	80
GB-433RHT	Bright Red	Red Trans.	660	1.7	2.6	5-10	0.6	2.0	60
GB-433GT	Green	Green Trans.	565	1.7	2.6	10-20	0.6	2.0	60
GB-433YT	Yellow	Yellow Trans.	585	1.7	2.6	10-20	0.6	2.0	60
GB-433RHC	Bright Red	Water Clear	660	1.7	2.6	10-20	0.6	2.0	60
GB-433GC	Green	Water Clear	565	1.7	2.6	10-20	0.6	2.0	60
GB-433YC	Yellow	Water Clear	585	1.7	2.6	10-20	0.6	2.0	60

TESTING CONDITION FOR EACH PARAMETER :

PARAMETER:	SYMBOL	UNIT	TEST CONDITION
REVERSE VOLTAGE	Vr	VOLT	Vr = 5.0 Volt
REVERSE CURRENT	Ir	μA	If = 20mA
FORWARD VOLTAGE	Vf	VOLT	If = 20mA
LUMINOUS INTENSITY	Iv	MCD	If = 20mA
VIEWING ANGLE	$2\theta_{1/2}$	DEGREE	
RECOMMENDED OPERATING CURRENT	If (Rec)	mA	

