

### DESCRIPTION:

The 343 series are specially applied on short housing with wider angle requirement.

It is in popular 5mm diameter package.

The semi-conductor materials used are:

GaP for (343HD/HT, 343GC/GD/GT)

GaAsP/GaP for (343RHC/RHD/RHT, 343YC/YD/YT and 343SD)

### ABSOLUTE MAXIMUM RATINGS: (Ta=25°C)

|   |                     |
|---|---------------------|
| Reverse Voltage                                       | 5 Volt              |
| Reverse Current (Vr =5V)                              | 100µA               |
| Operating Temperature Range                           | -40°C To 85°C       |
| Storage Temperature Range                             | -40°C To 100°C      |
| Lead Soldering Temperature<br>(1.6mm (1/16)From Body) | 260°C For 5 Seconds |

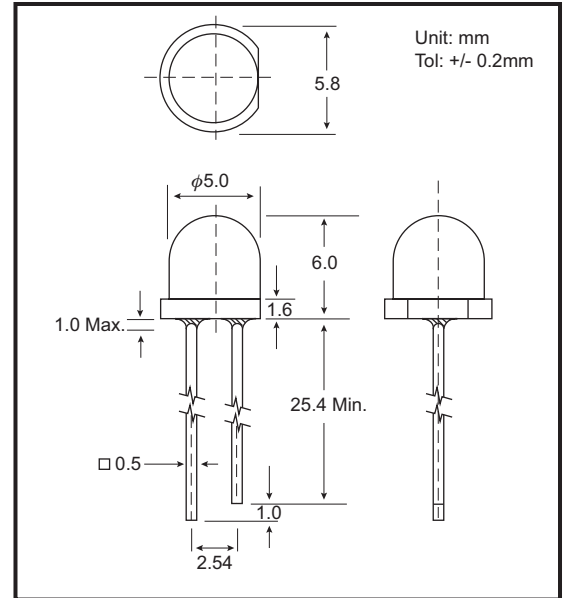
NOTES : 1. All dimensions are in millimeters.

2. Lead spacing is measured where the leads emerge from the package.

3. Protuded resin under flange is 1.5 mm (0.059") Max.

4. Specifications are subject to change without notice.

### PACKAGE DIMENSIONS



### PART NO. SELECTION AND APPLICATION INFORMATION (RATINGS AT 25°C AMBIENT)

| Part No.  | Emitted Color | Lens Color      | Peak Wavelength λp (nm) | Vf (v) |     | Rec. If (mA). | Iv (mcd) |      | View Angle 2θ1/2(Deg) |
|-----------|---------------|-----------------|-------------------------|--------|-----|---------------|----------|------|-----------------------|
|           |               |                 |                         | Min    | Max |               | Min      | Typ. |                       |
| GB-343HD  | Bright Red    | Red Diffused    | 697                     | 1.7    | 2.6 | 5-10          | 1.0      | 3.0  | 80                    |
| GB-343RHD | Bright Red    | Red Diffused    | 660                     | 1.7    | 2.6 | 10-20         | 2.5      | 10.0 | 80                    |
| GB-343GD  | Green         | Green Diffused  | 565                     | 1.7    | 2.6 | 10-20         | 2.5      | 10.0 | 80                    |
| GB-343YD  | Yellow        | Yellow Diffused | 585                     | 1.7    | 2.6 | 10-20         | 2.5      | 10.0 | 80                    |
| GB-343SD  | Orange        | Orange Diffused | 610                     | 1.7    | 2.6 | 10-20         | 2.5      | 10.0 | 80                    |
| GB-343HT  | Bright Red    | Red Trans.      | 697                     | 1.7    | 2.6 | 5-10          | 1.0      | 15.0 | 60                    |
| GB-343RHT | Bright Red    | Red Trans.      | 660                     | 1.7    | 2.6 | 10-20         | 6.0      | 30.0 | 60                    |
| GB-343GT  | Green         | Green Trans.    | 565                     | 1.7    | 2.6 | 10-20         | 6.0      | 30.0 | 60                    |
| GB-343YT  | Yellow        | Yellow Trans.   | 585                     | 1.7    | 2.6 | 10-20         | 6.0      | 30.0 | 60                    |
| GB-343RHC | Bright Red    | Water Clear     | 660                     | 1.7    | 2.6 | 10-20         | 6.0      | 30.0 | 60                    |
| GB-343GC  | Green         | Water Clear     | 565                     | 1.7    | 2.6 | 10-20         | 6.0      | 30.0 | 60                    |
| GB-343YC  | Yellow        | Water Clear     | 585                     | 1.7    | 2.6 | 10-20         | 6.0      | 30.0 | 60                    |

### TESTING CONDITION FOR EACH PARAMETER :

| PARAMETER:                    | SYMBOL   | UNIT   | TEST CONDITION |
|-------------------------------|----------|--------|----------------|
| REVERSE VOLTAGE               | Vr       | VOLT   | Vr = 5.0 Volt  |
| REVERSE CURRENT               | Ir       | µA     | If = 20mA      |
| FORWARD VOLTAGE               | Vf       | VOLT   | If = 20mA      |
| LUMINOUS INTENSITY            | Iv       | MCD    | If = 20mA      |
| VIEWING ANGLE                 | 2θ1/2    | DEGREE |                |
| RECOMMENDED OPERATING CURRENT | If (Rec) | mA     |                |

