

GB-983 SERIES

Pen-Head Type, Single Chip
LED Lamps (5.4mm)

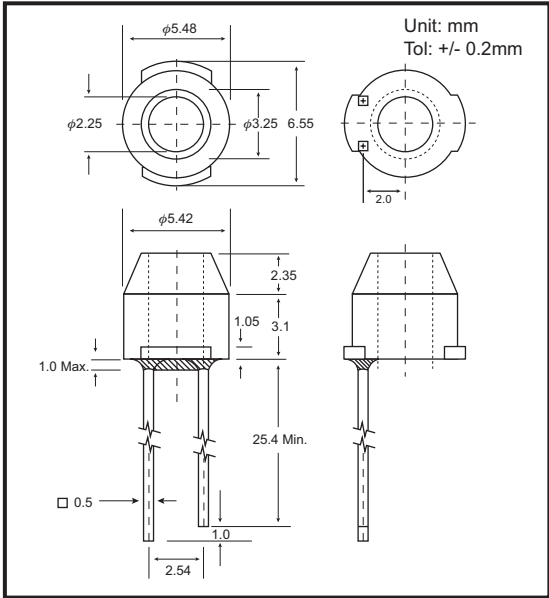
DESCRIPTION:

The 983 series is specially designed for Pen-Head application.
 The semi-conductor materials used are:
 GaAlAs for (983HR3W)
 GaP for (983VGW, 983YGUW)
 GaAsP/GaP for (983VYW)
 AlGaInP for (983UY1W, 983UO1W)

ABSOLUTE MAXIMUM RATINGS: (Ta=25°C)

Reverse Voltage	5 Volt
Reverse Current (Vr =5V)	100μA
Operating Temperature Range	-40°C To 85°C
Storage Temperature Range	-40°C To 100°C
Lead Soldering Temperature (1.6mm (1/16)From Body)	260°C For 5 Seconds

- NOTES : 1. All dimensions are in millimeters.
 2. Lead spacing is measured where the leads emerge from the package.
 3. Protuded resin under flange is 1.5 mm (0.059") Max.
 4. Specifications are subject to change without notice.

PACKAGE DIMENSIONS

PART NO. SELECTION AND APPLICATION INFORMATION (RATINGS AT 25°C AMBIENT)

Part No.	Emitted Color	Lens Color	Peak Wavelength λp (nm)	Vf (v)		Rec. If (mA).	Iv (mcd)		View Angle 2θ1/2(Deg)
				Min	Max		Min	Typ.	
GB-983HR3W	Super Red	White Diffused	660	1.7	2.6	10-20	3.2	7.0	175
GB-983VGW	Super Green	White Diffused	565	1.7	2.6	10-20	2.3	5.0	175
GB-983VYW	Super Yellow	White Diffused	585	1.7	2.6	10-20	2.3	5.0	175
GB-983YGUW	Super Green	White Diffused	565	1.7	2.6	10-20	3.6	8.0	175
GB-983UY1W	Super Yellow	White Diffused	590	1.7	2.6	10-20	4.5	10.0	175
GB-983UO1W	Amber	White Diffused	620	1.7	2.6	10-20	7.7	17.0	175
GB-983B472W	Blue	White Diffused	470	2.8	4.5	10-20	45.0	150.0	175

TESTING CONDITION FOR EACH PARAMETER :

PARAMETER:	SYMBOL	UNIT	TEST CONDITION
REVERSE VOLTAGE	Vr	VOLT	Vr = 5.0 Volt
REVERSE CURRENT	Ir	μA	If = 20mA
FORWARD VOLTAGE	Vf	VOLT	If = 20mA
LUMINOUS INTENSITY	Iv	MCD	If = 20mA
VIEWING ANGLE	2θ1/2	DEGREE	
RECOMMENDED OPERATING CURRENT	If (Rec)	mA	

