

DESCRIPTION:

The 573 series is a 2.5 x 7 x 7.8mm rectangular package which is easily stacked in arrays or used for discrete front panel indicator.

GaP for (573HD, 573GD/GT/GC)

GaAsP/GaP for (573RHC/RHD/RHT, 573YC/YD/YT, 573SD)

ABSOLUTE MAXIMUM RATINGS: (Ta=25°C)

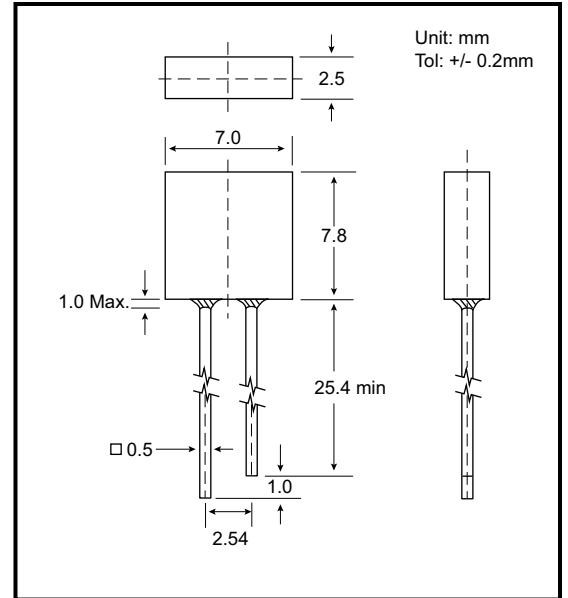
Reverse Voltage	5 Volt
Reverse Current (Vr =5V)	100µA
Operating Temperature Range	-40°C To 85°C
Storage Temperature Range	-40°C To 100°C
Lead Soldering Temperature (1.6mm (1/16)From Body)	260°C For 5 Seconds

NOTE : 1. All dimensions are in millimeters.

2. Lead spacing is measured where the leads emerge from the package.

3. Protuded resin under flange is 1.5 mm (0.059") Max.

4. Specifications are subject to change without notice.

PACKAGE DIMENSIONS

PART NO. SELECTION AND APPLICATION INFORMATION (RATINGS AT 25°C AMBIENT)

Part No.	Emitted Color	Lens Color	Peak Wavelength λp (nm)	Vf (v)		Rec. If (mA).	Iv (mcd)		View Angle 2θ1/2(Deg)
				Min	Max		Min	Typ.	
GB-573HD	Red	Red Diffused	697	1.7	2.6	10-20	1.0	2.0	130
GB-573RHD	Bright Red	Red Diffused	660	1.7	2.6	10-20	4.0	6.0	130
GB-573GD	Green	Green Diffused	565	1.7	2.6	10-20	1.0	2.0	130
GB-573YD	Yellow	Yellow Diffused	585	1.7	2.6	10-20	2.0	4.0	130
GB-573SD	Orange	Orange Diffused	610	1.7	2.6	10-20	2.0	4.0	130
GB-573RHT	Bright Red	Red Trans	660	1.7	2.6	10-20	6.0	8.0	100
GB-573GT	Green	Green Trans.	565	1.7	2.6	10-20	3.0	5.0	100
GB-573YT	Yellow	Yellow Trans.	585	1.7	2.6	10-20	4.0	7.0	100
GB-573RHC	Bright Red	Water Clear	660	1.7	2.6	10-20	7.0	10.0	100
GB-573GC	Green	Water Clear	565	1.7	2.6	10-20	4.0	6.0	100
GB-573YC	Yellow	Water Clear	585	1.7	2.6	10-20	6.0	8.0	100

TESTING CONDITION FOR EACH PARAMETER :

PARAMETER:	SYMBOL	UNIT	TEST CONDITION
REVERSE VOLTAGE	Vr	VOLT	Vr = 5.0 Volt
REVERSE CURRENT	Ir	µA	If = 20mA
FORWARD VOLTAGE	Vf	VOLT	If = 20mA
LUMINOUS INTENSITY	Iv	MCD	If = 20mA
VIEWING ANGLE	2θ1/2	DEGREE	
RECOMMENDED OPERATING CURRENT	If (Rec)	mA	

