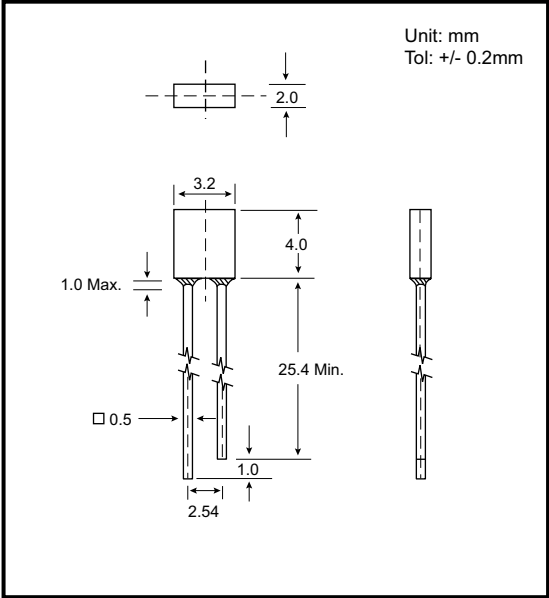


DESCRIPTION:

The 693 series is a 2 x 3 x 4mm rectangular package without flange which is most suitable for segment display and side backlight application.
 AlGaInP for (693UIC, 693UGC, 693UY2C, 693UO2C)
 InGaN/Sic for (693B472C, 693BG2C, 693PG2C, 693W2C)

PACKAGE DIMENSIONS

ABSOLUTE MAXIMUM RATINGS: (Ta=25°C)

Reverse Voltage	5 Volt
Reverse Current (Vr =5V)	100µA
Operating Temperature Range	-40°C To 85°C
Storage Temperature Range	-40°C To 100°C
Lead Soldering Temperature (1.6mm (1/16)From Body)	260°C For 5 Seconds

- NOTES : 1. All dimensions are in millimeters.
 2. Lead spacing is measured where the leads emerge from the package.
 3. Protuded resin under flange is 1.5 mm (0.059") Max.
 4. Specifications are subject to change without notice.

PART NO. SELECTION AND APPLICATION INFORMATION (RATINGS AT 25°C AMBIENT)

Part No.	Emitted Color	Lens Color	Peak Wavelength λp (nm)	Vf (v)		Rec. If (mA).	Iv (mcd)		View Angle 2θ1/2(Deg)
				Min	Max		Min	Typ.	
GB-693UIC	Ultra Red	Water Clear	635	1.7	2.6	20	28.0	70.0	130
GB-693UY2C	Ultra Yellow	Water Clear	590	1.7	2.6	20	64.0	160.0	130
GB-693UO2C	Ultra Orange	Water Clear	610	1.7	2.6	20	72.0	170.0	130
GB-693B472C	Blue	Water Clear	470	2.8	4.5	20	110.0	250.0	130
GB-693BG2C	Bluish Green	Water Clear	505	2.8	4.5	20	450.0	970.0	130
GB-693PG2C	Pure Green	Water Clear	525	2.8	4.5	20	450.0	970.0	130
GB-693W2C	White	Water Clear	TYPICAL CHROMATICITY COORDINATES	2.8	4.5	20	180.0	450.0	130
			X 0.31 Y 0.32						

TESTING CONDITION FOR EACH PARAMETER :

PARAMETER:	SYMBOL	UNIT	TEST CONDITION
REVERSE VOLTAGE	Vr	VOLT	Vr = 5.0 Volt If = 20mA If = 20mA If = 20mA
REVERSE CURRENT	Ir	µA	
FORWARD VOLTAGE	Vf	VOLT	
LUMINOUS INTENSITY	Iv	MCD	
VIEWING ANGLE	2θ1/2	DEGREE	
RECOMMENDED OPERATING CURRENT	If (Rec)	mA	

