

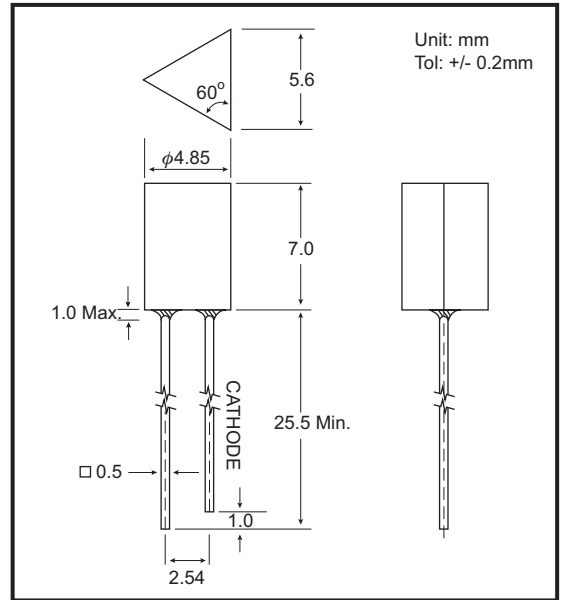
DESCRIPTION:

The 923 series is a 5.6x4.8mm triangle type LED lamps and is very suitable for direction indicators.

GaP for (923HD/HC, 923GC/GD)

GaAsP/GaP for (923RHC/RHD, 923YC/YD and 923SC/SD)

PACKAGE DIMENSIONS



ABSOLUTE MAXIMUM RATINGS: (Ta=25°C)

Reverse Voltage	5 Volt
Reverse Current (Vr =5V)	100µA
Operating Temperature Range	-40°C To 85°C
Storage Temperature Range	-40°C To 100°C
Lead Soldering Temperature (1.6mm (1/16)From Body)	260°C For 5 Seconds

- NOTES : 1. All dimensions are in millimeters.
 2. Lead spacing is measured where the leads emerge from the package.
 3. Protuded resin under flange is 1.5 mm (0.059") Max.
 4. Specifications are subject to change without notice.

PART NO. SELECTION AND APPLICATION INFORMATION (RATINGS AT 25°C AMBIENT)

Part No.	Emitted Color	Lens Color	Peak Wavelength λp (nm)	Vf (v)		Rec. If (mA).	Iv (mcd)		View Angle 2θ1/2(Deg)
				Min	Max		Min	Typ.	
GB-923HD	Red	Red Diffused	697	1.7	2.6	10-20	0.3	0.8	140
GB-923RHD	Bright Red	Red Diffused	660	1.7	2.6	10-20	3.6	8.0	140
GB-923GD	Green	Green Diffused	565	1.7	2.6	10-20	3.2	7.0	140
GB-923YD	Yellow	Yellow Diffused	585	1.7	2.6	10-20	2.9	6.4	140
GB-923SD	Orange	Orange Diffused	610	1.7	2.6	10-20	3.4	7.5	140
GB-923HC	Red	Water Clear	697	1.7	2.6	10-20	2.5	5.6	120
GB-923RHC	Bright Red	Water Clear	660	1.7	2.6	10-20	25.0	56.0	120
GB-923GC	Green	Water Clear	565	1.7	2.6	10-20	22.0	49.0	120
GB-923YC	Yellow	Water Clear	585	1.7	2.6	10-20	20.0	45.0	120
GB-923SC	Orange	Water Clear	610	1.7	2.6	10-20	24.0	52.0	120

TESTING CONDITION FOR EACH PARAMETER :

PARAMETER:	SYMBOL	UNIT	TEST CONDITION
REVERSE VOLTAGE	Vr	VOLT	Vr = 5.0 Volt If = 20mA
REVERSE CURRENT	Ir	µA	
FORWARD VOLTAGE	Vf	VOLT	
LUMINOUS INTENSITY	Iv	MCD	If = 20mA
VIEWING ANGLE	2θ1/2	DEGREE	
RECOMMENDED OPERATING CURRENT	If (Rec)	mA	

